

BROAD-BAND SERIES



BBG-180RT VALVE REGULATED LEAD ACID BATTERY FOR BROADBAND STANDBY POWER APPLICATIONS

FEATURES

- Flame-arresting one-way pressure-relief vent for safety and long life.
- Thermally welded case-to-cover bond to ensure a leak-proof seal.
- Thick positive plate design for maximum service float life.
- Case and cover of high-impact polypropylene with reinforced endwalls to reduce bulging.
- Removable carrying handles.
- Gas recombination efficiency of up to 99% for freedom from electrolyte maintenance.
- Designed to meet full published ratings at initial start-up installation
- Multicell design for ease of installation and maintenance.
- UL-recognized component.
- Complies with UN 2794.
- Not restricted for surface transport – classified as non-hazardous material as related to DOT-CFR Title 49 parts 171-189.
- Gelled electrolyte for superior float service life and thermal management.
- Can be used in any orientation. Upright, side or end mounting recommended.

12 Volts – 94 Ampere Hour Capacity @ 20 Hour Rate

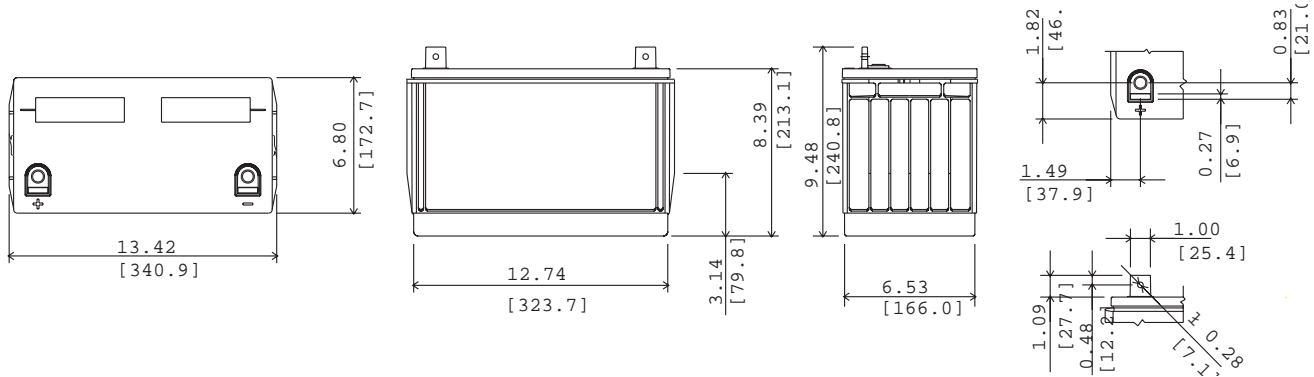
Ampere Hour Capacity to 1.75 Volts per Cell @ 77°F (25°C)

Discharge in Hours	.25	.50	1.00	2.00	3.00	4.00	5.00	6.00	7.00	8.00	10.00	12.00	20.00	24.00	48.00	72.00	100.0
Amp-Hr Capacity	39.5	50.5	61.2	70.4	75.6	78.8	82.0	83.4	85.4	86.4	88.9	89.9	93.6	95.0	99.8	102	103

C&D Technologies, Inc.
DYNASTY Division
900 East Keefe Avenue
Milwaukee, WI 53212
Phone: 800-396-2789
Fax: 414-961-6506



BBG-180RT



BBG-180RT – Specifications

Cells Per Unit	Voltage Per Unit	Max. Weight	Electrolyte	Maximum Discharge Current	Short Circuit Current	10 Sec. Volts @100 Amps	Ohms Imped. 60 Hz (Ω)
6	12.84	66 lbs. 30 kg.	Gelled H ₂ SO ₄ SG = 1.300	900 Amps	2500 Amps @ 0.1 sec.	11.3	0.0050 Ohms

Capacity	93.6 Ah @ 20 hour rate to 1.75 volts per cell @ 77° F (25° C)
Operating Temperature Range	Discharge; -40° F (-40° C) to +160° F (71° C), Charge; -10° F (-23° C) to +140° F (60° C) (with temperature compensation)
Nominal Operating Temperature Range	+74° F (23° C) to +80° F (27° C)
Float Charging Voltage	13.5 to 13.8 VDC/unit Average @ 77° F (25° C)
Recommended Maximum Charging Current Limit	C/5 amperes (18.7 amps @ 100% depth of discharge) @ 20 hour rate
Maximum AC Ripple (Charger)	0.5% RMS or 1.5% P-P of float charge voltage recommended for best results. Maximum AC ripple voltage allowed = 1.4% RMS (4% P-P) Maximum AC ripple current allowed = 4.6 amperes RMS (C/20)
Self Discharge	Dynasty Broadband batteries may be stored for up to 6 months at 77° F (25° C) and then a freshening charge is required. For higher temperatures the time interval will be shorter.
Accessories	Inter unit connectors, racks and cabinet systems are available.
Terminal	"L" terminal with 0.28" clearance hole to accept 0.25" (6mm) bolt.
Terminal Hardware Initial Torque	65 in.-lbs. (7.4 n-m).
Terminal Hardware Annual Retorque	52 in.-lbs. (5.8 n-m).

Constant Current Discharge Ratings – Amperes @ 77°F (25°C) to 1.75 Volts per Cell

Amperes	5	10	15	20	25	30	35	40	45	50
Run Time (Minutes)	1118	524	331	237	182	146	121	102	88	78

Constant Current Discharge Ratings – Amperes @ 77°F (25°C)

Operating Time to End Point Voltage (in hours)

End Point Volts/Cell	.25	.50	1.00	2.00	3.00	4.00	5.00	6.00	7.00	8.00	10.00	12.00	20.00	24.00	48.00	72.00	100.0
1.75	158	101	61.2	35.2	25.2	19.7	16.4	13.9	12.2	10.8	8.89	7.49	4.68	3.96	2.08	1.42	1.03
1.80	145	95.7	59.4	34.6	24.8	19.5	16.2	13.8	12.0	10.7	8.78	7.40	4.62	3.90	2.04	1.39	1.02
1.85	127	87.5	56.0	33.2	24.0	18.9	15.7	13.3	11.7	10.4	8.51	7.17	4.46	3.77	1.97	1.34	0.98
1.90	107	75.6	50.0	30.5	22.2	17.6	14.6	12.5	10.9	9.71	7.96	6.70	4.16	3.51	1.82	1.23	0.90

Note: Batteries to be mounted with 0.5 in. (1.25 cm) spacing minimum and free air ventilation. Specifications subject to change without notification.